

Site Preparation Specification Sheet

Due to continuing product improvements, Heartland reserves the right to amend specifications without notice. Dimensional specifications are provided for planning purposes only. For complete details see Installation Instructions that accompany each product before selecting cabinetry, making cutouts or beginning installation. Please contact Heartland Appliances Inc. before using this manual to ensure you are using the most up to date information as it applies to the product you are purchasing.



Model 2602 Sweetheart (without reservoir) / 2603 Sweetheart (with reservoir)

Model 2602/2603 Sweetheart Chart of Clearances

Status	A	B	C	D	E	F	G	H	J	Measure
No Heat Shield	25	69	66	66	50	58	132	61	121	Centimeters
	10	27	26	26	20	23	52	24	48	Inches
with Heat Shield	25	8	61	61	5	31	132	61	121	Centimeters
	10	3	24	24	2	12.5	52	24	48	Inches

***Note:** A chimney approved to ULC standard S629 in Canada or UL 103HT in the U.S. must be used to connect the smokepipe at the top of the cabinet to maintain the 4" clearance to combustibles. The approved chimney must extend 1" below the heatshield.

****These are factory recommended clearances only, and are subject to local, provincial or state building and fire codes. These clearances may change without notice.**

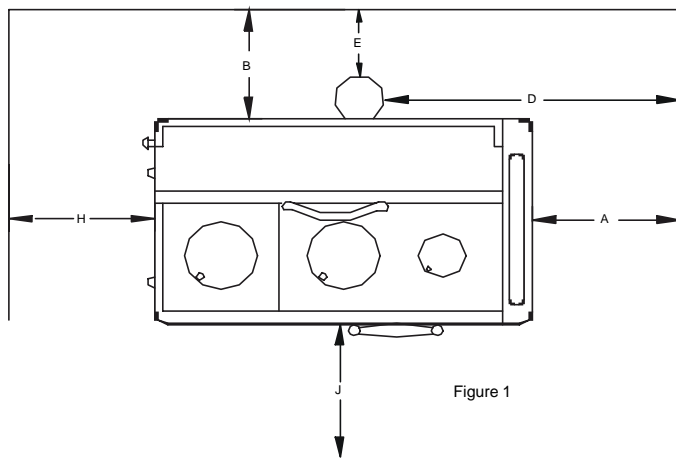


Figure 1

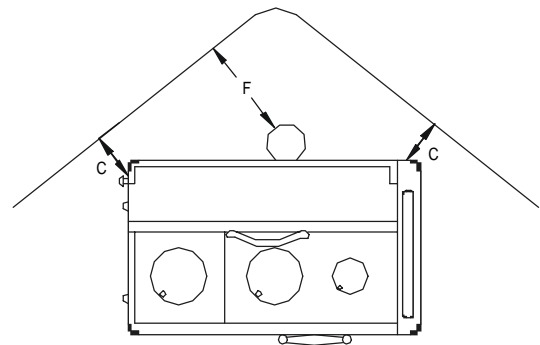


Figure 2

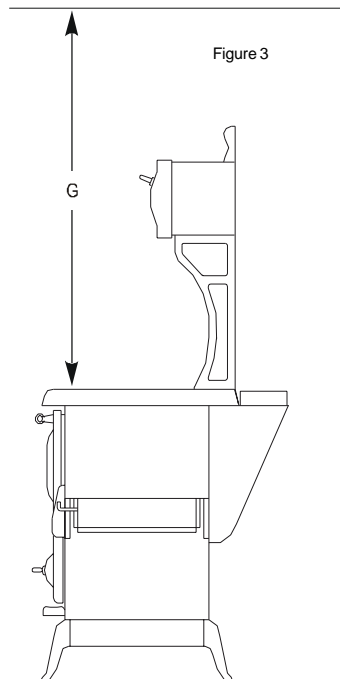


Figure 3

When a heat shield is installed dimensions B, D, E and F are taken from the heat shield.

Dimensions A, C, G, and H remain the same with or without a heat shield. Dimensions A and C are taken from the *reservoir* on reservoir models. In some installations, due to room orientation etc., two or more clearances to combustible walls may contradict each other, the clearance with the greater numerical value must be maintained.

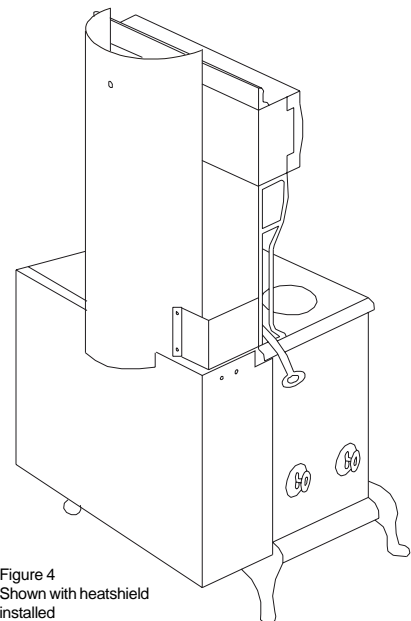


Figure 4
Shown with heatshield installed

Site Preparation Specification Sheet

Due to continuing product improvements, Heartland reserves the right to amend specifications without notice. Dimensional specifications are provided for planning purposes only. For complete details see Installation Instructions that accompany each product before selecting cabinetry, making cutouts or beginning installation. Please contact Heartland Appliances Inc. before using this manual to ensure you are using the most up to date information as it applies to the product you are purchasing.



Model 2602 Sweetheart (without reservoir) / 2603 Sweetheart (with reservoir)

Clearance Guidelines:

(Please refer to the Stove Pipe Chimney Connections and Rough In Dimensions Site Preparation Guide Specifications Sheets.)

- **IMPORTANT:** Part of planning a safe installation is to be sure that combustible materials located near your stove do not overheat. Clearances specified herein must be adhered to as a minimum. Local building codes may require additional spacing. Please confirm with your local regulations prior to commencing any work.
- Make sure that no floor or ceiling supports will be cut due to chimney installation (adjust stove location accordingly to avoid chimney interference with these critical areas).
- Some states **require** fresh air kits to be installed, contact state or local authorities for specifics before installing unit. (See page 36 for fresh air kit details).
- Clearance reductions may be possible using Heartland's Heat Shield (see page 32). To ensure the appropriate standards are being met, in Canada refer to the **Installation Code for Solid Fuel Appliances and Equipment. CAN3-B365-M84**; in the U.S. refer to the **National Fire Protection Association Standard 211**,

Floor Protection:

When installing on a combustible floor, a continuous noncombustible floor protector pad or Hearth is required under the stove. Floor tiles with grouting between them or metal pads are acceptable.

The pad or Hearth must extend: 18" (450 mm) from the front of the stove (see figure 3).

8" (200 mm) from the sides and back of the stove (see figures 2 & 3).

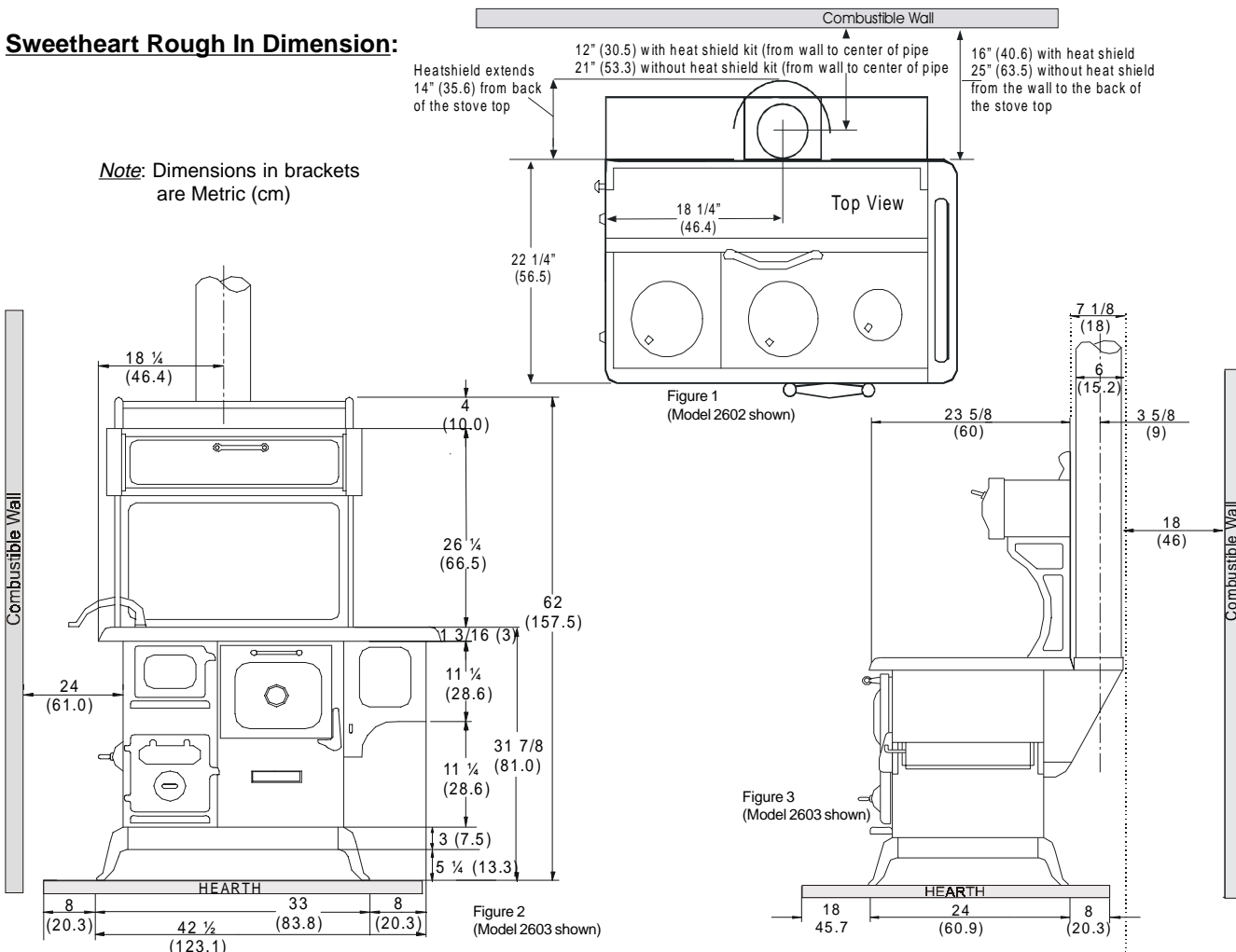
Formula for Equivalent Hearth Extension: Hearth extension may be fabricated from non-combustible materials as long as the materials are at least 1/2" thick and have a thermal conductivity factor "K" of 0.43 or lower. **Formula: Units of K = btu/ft/h/F/in**

Example for determining thickness of equivalent material: **$(\text{"K" of equivalent material}) \times 0.5 = \text{thickness required}$**
.043

The thermal conductivity of "K" of equivalent material can usually be obtained from the manufacturer of the material.

Sweetheart Rough In Dimension:

Note: Dimensions in brackets are Metric (cm)



Site Preparation Specification Sheet

Due to continuing product improvements, Heartland reserves the right to amend specifications without notice. Dimensional specifications are provided for planning purposes only. For complete details see Installation Instructions that accompany each product before selecting cabinetry, making cutouts or beginning installation. Please contact Heartland Appliances Inc. before using this manual to ensure you are using the most up to date information as it applies to the product you are purchasing.



Stovepipe Chimney Connection Requirements & Oval & Sweetheart Rough in Dimensions

Chimneys and Draft:

Chimney installation will have to be inspected by your local building inspector.

Performance of your woodburning system depends more on the chimney than on any other single component.

- The chimney 'drives' the system by producing the draft that draws in combustion air and exhausts smoke and gases to the outdoors.
- Woodburning stove can be installed in a masonry chimney "if" in compliance with the appropriate standard or a prefabricated chimney approved ULC standard S629 in Canada and UL103HT in the US. Follow chimney manufacturers' directions for installation, It should be inspected by a qualified mason. Unlined masonry chimneys should not be used.
- Good draft in a cold chimney should be between 0.01" and 0.15" water column (your dealer may be able to check this).

Recommended Chimney Clearances:

- Minimum distance above stove collar: 14ft (4.2 m)
- Minimum distance above point passing through roof: 3 ft (900 mm)
- Minimum distance above from anything within a 10 ft (3 m) radius of pipe top: 2 ft (600 mm)

Stovepipe Chimney Connection Requirements:

Chimney Connector to Stove Flue:

- 24 gauge or thicker sheet metal (do not use galvanized pipe as it may release toxic fumes when hot)
- 6" (152 mm) diameter

Vertical Run Minimum Height from Stove Flue:

- Height of cabinet before 90 degree elbow is installed with no more than two 90 degree elbows in entire system

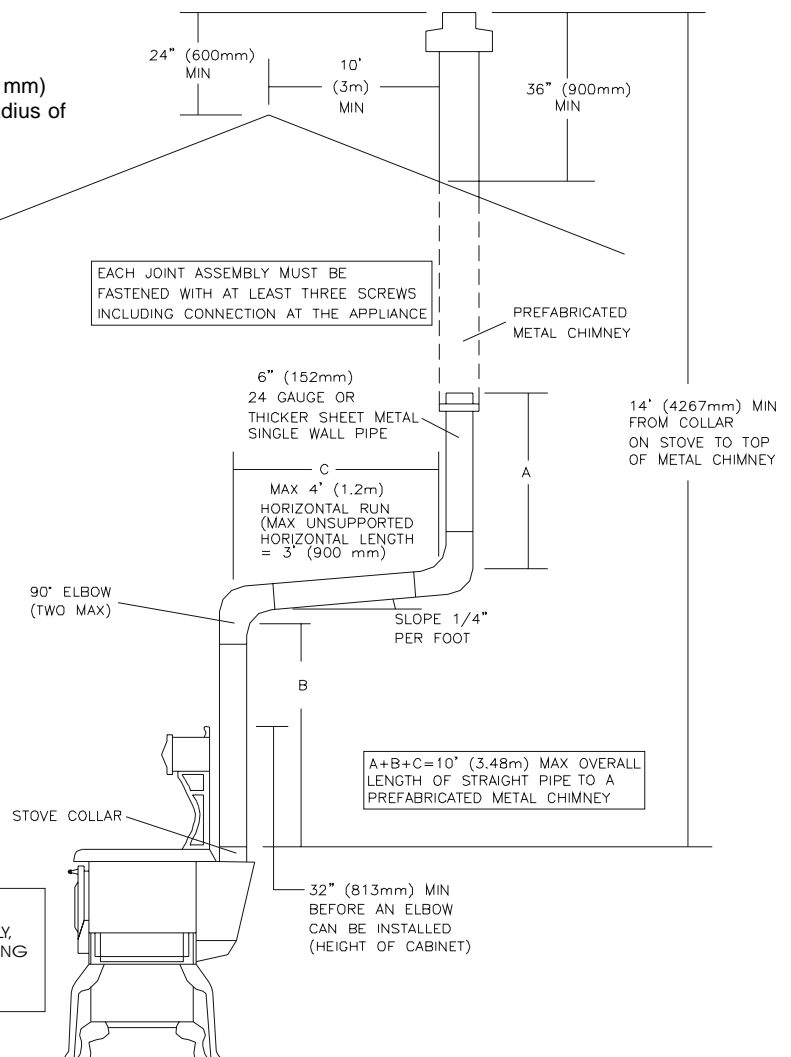
Horizontal Stovepipe Run:

- 48" (1.2 m) maximum (should slope upward 1/4" per foot going from stove towards chimney)
- Maximum unsupported Horizontal run = 3' (900 mm)

Vertical Stovepipe Run:

- To Prefabricated Metal Chimney - 10 ft (3.05 m) maximum (with no horizontal runs present)

Note: If stovepipe has a horizontal run, the combination of vertical and horizontal stovepipe cannot exceed 10'



- Note:**
- Do not pass stovepipe chimney connector through combustible wall. Always use an approved insulated wall/ceiling pass-through. (Refer to CSA B365 in Canada and NFPA 211 in US).
 - Do not use single wall smokepipe as an outside chimney
 - Chimney Connector should be exposed and accesible for inspeciton and cleaning (never pass through combustible ceiling) Connector must be securely attached to the pipe and chimney also individual sections must be securely attached together (in case of chimney fire, chimney connector may vibrate violently).