

Site Preparation Specification Sheet

Due to continuing product improvements, Heartland reserves the right to amend specifications without notice. Dimensional specifications are provided for planning purposes only. For complete details see Installation Instructions that accompany each product before selecting cabinetry, making cutouts or beginning installation. Please contact Heartland Appliances Inc. before using this manual to ensure you are using the most up to date information as it applies to the product you are purchasing.



Model 3535 Metro 30" Gas / Electric Convection Self Clean Range

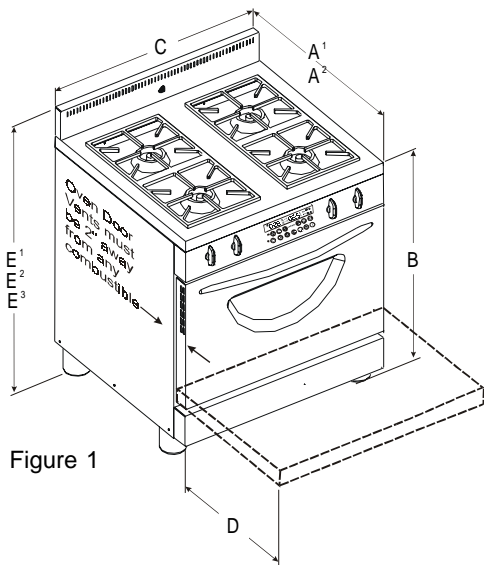


Figure 1

Dim	30" Metro
A ¹	28 3/4" (73cm) to front of stove
A ²	31 1/4" (79cm) to edge of oven door handle
B	36 1/8" (92cm)
C	29 3/4" (76cm)
D	17 1/2" (45cm)
E ¹	standard 40 5/8" (103cm) (as shown in figure 1)
E ²	low profile: 38" (97cm)
E ³	high back w/shelf: 56 1/8" (143cm)

Note: See "Backguard Options" page 12 for details

Table 1

Clearances

- Oven door vents must be 2" from any combustible. Door vents are required on Metro units to allow oven door ventilation.
- Minimum distance between the range and a side wall above the cooking top surface is 6" (see dim "O" in Table 2 below)

Electrical Requirements:

- Electrical hookup must be performed by a licenced electrician
- 240 Volts 60Hz 4.1Kw, three prong plug for U.S. and four prong for Canadian installations. (5 ft - 1.5 m power cord included)
- New installations for the U.S. may require a four prong plug. Please confirm prior to ordering.
- Stove must be electrically grounded in compliance with local codes. In the absence of local codes, with the National Electrical code ANSI/NFPA 70 "Latest Edition" in the US or in Canada with the Canadian Electrical Code, Part I, CSA Standard C22, or the Local National Electrical Code.

Gas Requirements:

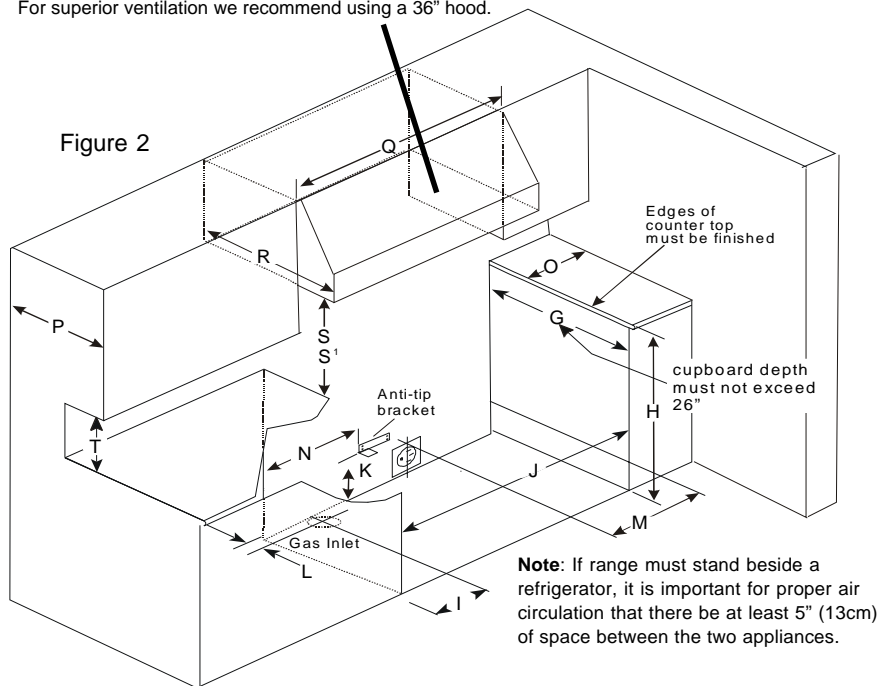
- Gas hook-up must be performed by a licensed gas fitter.
- Pressure requirements: Natural gas: 6" W.C. (min); LP gas: 11" W.C. (min)
- Connection: 1/2" NPT • 5/8" minimum diameter flex line.
- An accessible manual shut off valve must be installed at the appliance.
- Natural Gas/Propane Conversion kits are available - must be performed by a licensed gas fitter

Note: Appliances installed in the state of Massachusetts

- This appliance can only be installed in the state of Massachusetts by a Massachusetts licensed plumber or gas fitter
- This appliance must be installed with a three (3) foot / 36 inch long flexible gas connector
- A "T" handle type manual gas valve must be installed in the gas supply line to this appliance

Anti Tip Bracket: bracket included with every stove. When properly installed, will prevent stove from tipping forward if downward force is applied to an open door.

For proper performance a 450 CFM vent hood is **recommended** on all 30" Metro ranges to ensure adequate and proper ventilation. A minimum 400 CFM vent hood is required for adequate ventilation. For superior ventilation we recommend using a 36" hood.



Dim	30" Metro
G	Maximum 26" (66cm)
H	36" (92.5cm)
I	10" (25cm)
J	30 3/4" (78cm) CDN ONLY 30 1/4 US ONLY
K	5 5/8" (14.5cm) Note: if height of stove (dimension B, Table 1) is increased, this dimension (K), must be increased by same amount to ensure anti-tip bracket is properly located
L	2" (5cm)
M	15" (38cm)
N	10" (51m)
O	6" (15cm) min left and right side
P	13" (33cm)
Q	SPECIFY WIDTH OF HOOD
R	24" (61cm)
S	30" min to 36" max (76-92cm)
S ¹	For low profile backguard only 30" min to 33 1/2" (76-85cm) max recommended when using Heartland's splashback kit (see page 14 for more details)
T	18" (46cm)

Table 2