

Site Preparation Specification Sheet

Due to continuing product improvements, Heartland reserves the right to amend specifications without notice. Dimensional specifications are provided for planning purposes only. For complete details see Installation Instructions that accompany each product before selecting cabinetry, making cutouts or beginning installation. Please contact Heartland Appliances Inc. before using this manual to ensure you are using the most up to date information as it applies to the product you are purchasing.



Model 9100 Gas Ranges

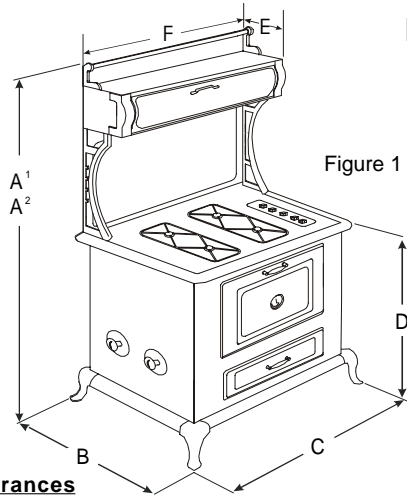


Figure 1

Dim	30" Gas Range
A ¹	66 1/4" (168cm)
A ²	62 3/8" (158.5cm) (without crests)
B	29 3/4" (76cm)
C	29 3/4" (76cm)
D	36 1/8" (92cm)
E	12 1/8" (31cm) to edge of corners
F	29 11/16" (75.5cm)

Table 1

Clearances

- Distance between sides of stove and adjacent surfaces: 1/2" (1.5 cm) minimum
- Distance between nickel trim and adjacent surfaces: 0"
- Rear clearance: 0"
- To eliminate risk of burns or fire by reaching over heated surface units, installation of cabinet storage space above the surface units should be avoided. If there is existing cabinet storage space, have at least 30" (76 cm) of clearance.
- If unit is installed beside a refrigerator it is important that there be at least 5" (13 cm) between the refrigerator and the range

Electrical Requirements:

- Electrical hookup must be performed by a licenced electrician
- 120 Volts 60Hz .375 Kw, 3 prong plug. (5 ft (1.5 m) power cord included).
- Stove must be electrically grounded in compliance with local codes. In the absence of local codes, with the National Electrical code ANSI/NFPA 70 "Latest Edition" in the US or in Canada with the Canadian Electrical Code, Part I, CSA Standard C22, or the Local National Electrical Code.

Gas Requirements:

- Gas hook-up must be performed by a licensed gas fitter.
- Natural Gas/Propane Conversion kits are available
- must be performed by a licensed gas fitter
- Pressure requirements: Natural gas: 5" W.C. (min); LP gas: 11" W.C. (min)
- Connection: 1/2" NPT • 5/8" minimum diameter flex line.
- An accessible manual shut off valve must be installed at the appliance.

Note: Appliances installed in the state of Massachusetts
 - This appliance can only be installed in the state of Massachusetts by a Massachusetts licensed plumber or gas fitter
 - This appliance must be installed with a three (3) foot / 36 inch long flexible gas connector
 - A "T" handle type manual gas valve must be installed in the gas supply line to this appliance

Exhaust Hood:

- 350 CFM exhaust fan system is contained in the overhead cabinet.
- Ventless exhausting requires no further set up (cooking fumes are drawn through the filter and exhausted through the rear of the hood)
- Venting can be exhausted directly to the outside or recirculated through its filter system. When vent hood is vented to the outside, a

3 1/2" x 10 1/2" (9cm x 27cm) opening needs to be cut out behind the cabinet. See figure 2 below for cut out location

NOTE: A 3 1/4" x 10" (8cm x 25.5cm) exhaust adaptor is included with the exhaust hood. All other ducting to be supplied by others.

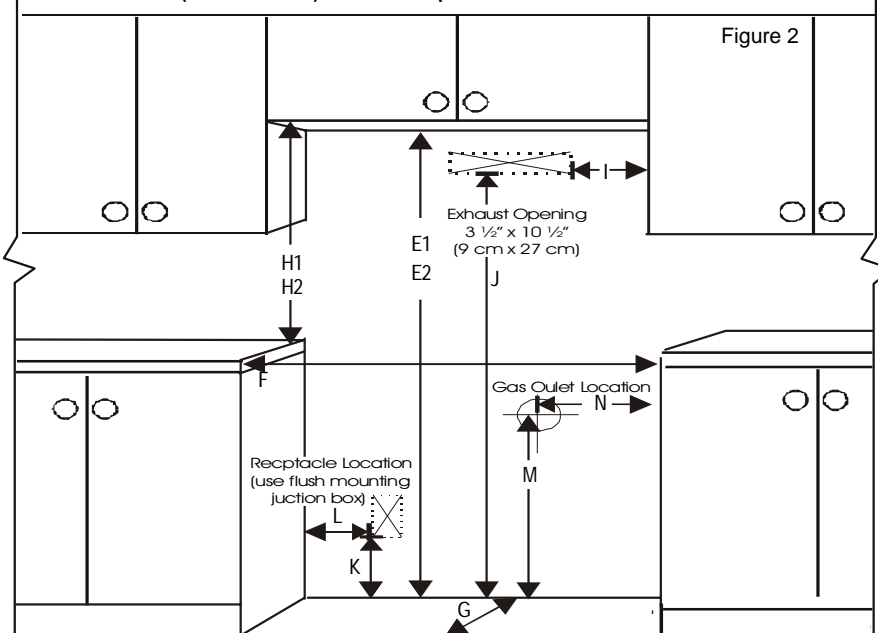


Figure 2

Table 2

Dim	30" Gas Range
E ¹	66 3/4" (169.5cm) with crests
E ²	62 7/8" (160cm) without crests
F	30" (76cm)
G	Maximum: 24" (61cm)
H ¹	Minimum: 30 1/4" (77cm) with crests
H ²	Minimum: 26 3/8" (67cm) without crests
I	10" (25.5cm)
J	54 5/8" (139cm)
K	12" (30.5cm)
L	5" (13cm)
M	34" (86cm)
N	3 7/8" (10cm)