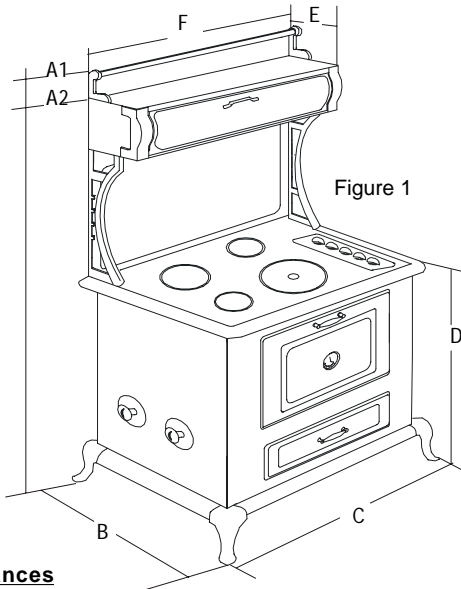


# Site Preparation Specification Sheet

Due to continuing product improvements, Heartland reserves the right to amend specifications without notice. Dimensional specifications are provided for planning purposes only. For complete details see Installation Instructions that accompany each product before selecting cabinetry, making cutouts or beginning installation. Please contact Heartland Appliances Inc. before using this manual to ensure you are using the most up to date information as it applies to the product you are purchasing.



Model 8200/8210 30" Electric Convection Ranges with Glass-Ceramic Cooktop

Dim	30" Electric Range
A <sup>1</sup>	66 1/4" (168cm)
A <sup>2</sup>	62 3/8 (158.5cm) (without crestring)
B	28" (71cm)
C	29 3/4" (76cm)
D	36 1/8" (92cm)
E	11 3/8" (29cm) to edge of corners
F	27 1/2" (70cm)

Table 1

### Clearances

- Distance between sides of stove and adjacent surfaces: 1/2" (1.5 cm) minimum
- Distance between nickel trim and adjacent surfaces: 0"
- Rear clearance: 0"
- To eliminate risk of burns or fire by reaching over heated surface units, installation of cabinet storage space above the surface units should be avoided. If there is existing cabinet storage space, have at least 30" (76 cm) of clearance.
- If unit is installed beside a refrigerator it is important that there be at least 5" (13 cm) between the refrigerator and the range

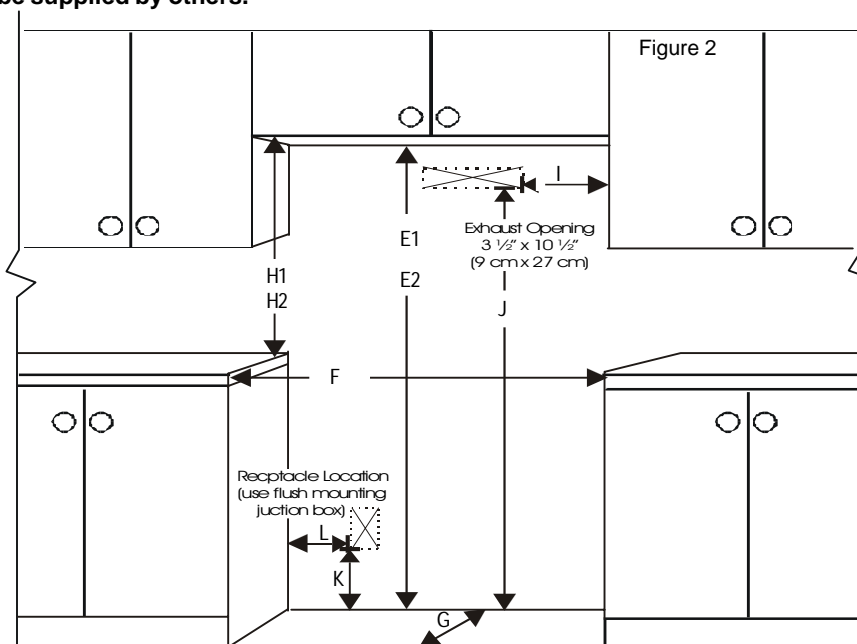
### Electrical Requirements:

- Electrical hookup must be performed by a licenced electrician
  - 240 Volts 60Hz 11 Kw, 3 prong plug for U.S. and 4 prong for Canadian installations. (5 ft (1.5 m) power cord included).
- Note:* New installations for the U.S. may require a four prong plug. Please confirm prior to ordering.
- Stove must be electrically grounded in compliance with local codes. In the absence of local codes, with the National Electrical code ANSI/NFPA 70 "Latest Edition" in the US or in Canada with the Canadian Electrical Code, Part I, CSA Standard C22, or the Local National Electrical Code.

### Exhaust Hood:

- 350 CFM exhaust fan system is contained in the overhead cabinet.
- Ventless exhausting requires no further set up (cooking fumes are drawn through the filter and exhausted through the rear of the hood)
- Venting can be exhausted directly to the outside or recirculated through its filter system. When vent hood is vented to the outside, a 3-1/2" x 10 1/2" (9 cm x 27 cm) opening needs to be cut out behind the cabinet. See figure 2 below for cut out location

**NOTE: A 3 1/4" x 10" (8cm x 25.5cm) exhaust adaptor is included with the exhaust hood. All other ducting to be supplied by others.**



Dim	30" Electric Range
E <sup>1</sup>	66 3/4" (169.5cm) with crestring
E <sup>2</sup>	62 7/8" (160cm) without crestring
F	Minimum 30" (76cm)
G	24" (61cm)
H <sup>1</sup>	Minimum: 30 1/4" (77cm) with crestring
H <sup>2</sup>	Minimum: 26 3/8" (67cm) without crestring
I	7 3/4" (20cm)
J	54 1/4" (138cm)
K	12" (30.5cm)
L	5" (13cm)

Table 2