

# Site Preparation Specification Sheet

Due to continuing product improvements, Heartland reserves the right to amend specifications without notice. Dimensional specifications are provided for planning purposes only. For complete details see Installation Instructions that accompany each product before selecting cabinetry, making cutouts or beginning installation. Please contact Heartland Appliances Inc. before using this manual to ensure you are using the most up to date information as it applies to the product you are purchasing.



## Model 3010 Classic II - 30" Refrigerator

### Clearances:

Allow the following clearances for ease of installation, proper air circulation, plumbing and electrical connections:

- Sides** .....1/4" (6 mm) per side
- Top** (without Cowl)....4 3/4" (119 mm) - to allow access for anti tip bracket installation
- Top** (with Cowl).....1" (25 mm) - 1" space above cowl required for air circulation
- Back** .....1" (25 mm)

**Note:** If Refrigerator must be installed beside a stove, it is important there be at least 5" (125cm) between the two appliances

### Dimensions and Specifications:

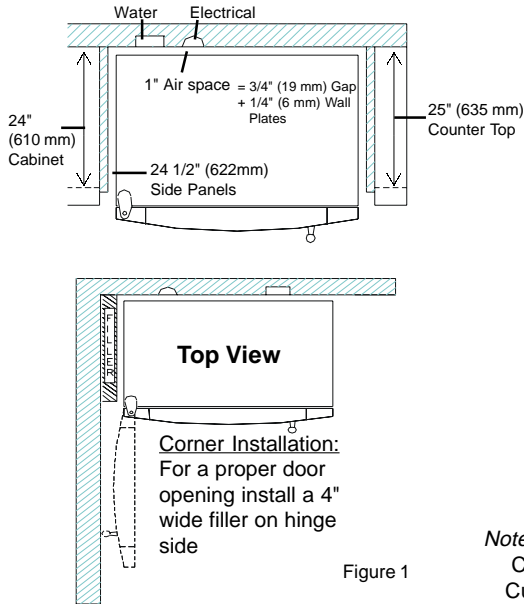
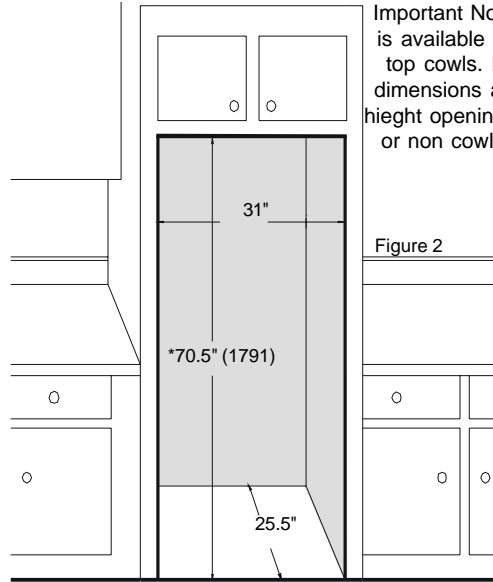


Figure 1



Important Note: the refrigerator is available with two options of top cowls. Please ensure the dimensions are followed for the height opening based on the cowl or non cowl option being used

Figure 2

\*Dimensions include clearances required  
 Note: Cut out height required 70.5" (1791 mm) with out optional Cowl  
 Cut out height required 72.75" (1848 mm) with 6" optional Cowl  
 Cut out height required 78.75" (2000 mm) with 12" optional Cowl

### Installation:

The wall mounting bracket (attached at the back, top of refrigerator- see Fig. 3) is essential to the installation of this refrigerator.

- On the back wall where the fridge will be installed, locate and mark two wall studs at 66 1/8" from the floor up.
- Slide the unit into place and using two 1 1/2" wood screws (attached to bracket) secure the bracket to the marked position on the wall.
- Elevate the front of the unit a 1/2" by turning the 3/8" adjustment located at the bottom front of the refrigerator, counter clockwise.
- **Note: Cowl Optional** (refer to Cowl installation instructions in this manual)

### Electrical Requirements:

- The refrigerator should always be plugged into its own individual electrical outlet, which has a voltage rating of 115 Volts, 10 Amps.
- Have the wall outlet and circuit checked by a licenced electrician to make sure the outlet is properly grounded.
- Unit supplied with a 5 foot power cord. (See Figure 4)

### Water Line:

- PLEASE NOTE:** The optional Ice Maker Kit is **not** factory installed
- The water pressure must be between 20 psi & 120 psi.
  - Use Copper tubing 1/4" outer diameter. (Be sure both ends of the tubing are cut square)
  - In line water filter and shut off valve must be installed and in an accessible location.

### To Determine how much tubing you need:

- Measure the distance from the water valve on the back of the refrigerator to the water supply pipe.
- Then add 8 feet (244 cm).
- The extra tubing should be coiled into 3 turns of about 10 inches (25 cm) diameter to allow the refrigerator to move out from the wall after installation. (as shown in Fig. 4)

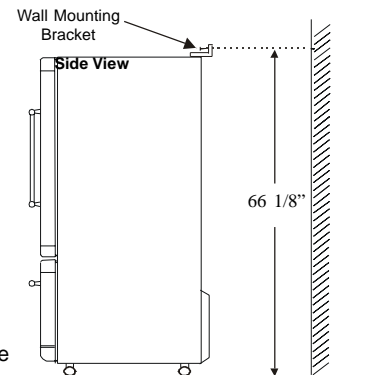


Figure 3

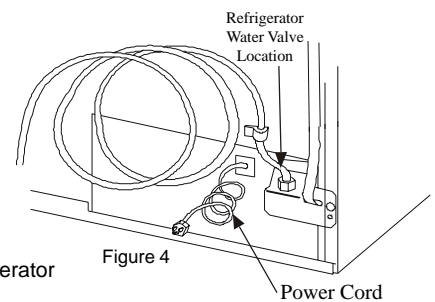


Figure 4